



FEATURES

- 1 CENTRIS™ FINGERTIP TILT**
Effortlessly adjust display using Centris fingertip tilt technology. Screen angle stays set until you decide to re-adjust.
- 2 TELESCOPING HEIGHT ADJUSTMENT**
Integrated knob provides tool-less telescoping adjustment from 4 ft (120 cm) to 6 ft (180 cm).
- 3 CLICKCONNECT™ TECHNOLOGY**
PATENT-PENDING
An audible click confirms flat panels are locked in place. Easy to connect/disconnect - no tools needed!
- 4 PORTRAIT/LANDSCAPE CAPABILITY**
Mounts in either portrait or landscape position.
- 5 CABLE MANAGEMENT**
Flexible covers hide cables for a clean installation.



(PFC shown, PAC710 Accessory Shelf not included)

SPECIFICATIONS

Dimensions*	37.13" x 77.75" x 32.13" (94.3 x 197.4 x 81.6 cm)
Height	4 - 6' (120 - 180 cm)
Tilt	+/-15°
Weight Capacity	125 lbs (56.7 kg)
Colors	Black, Silver

* Dimensions don't include interface bracket

WHAT YOU NEED TO KNOW

ABOUT MFC™

Disassembles with one tool. Designed with lightweight aluminum its unique angled base makes corner positioning or nesting easy. Universal interface bracket sold with MFCU, custom interface brackets sold separately with MFC.

OTHER PRODUCT OPTIONS

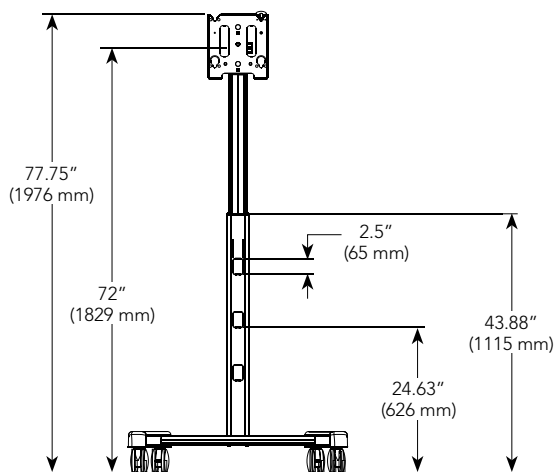


MFM
Confidence Monitor Cart
Height: 3 - 4' (91 - 122 cm), Tilt: +15°/+45°



MFQ
Confidence Monitor Cart
Height: 2 - 2.5' (61 - 76 cm), Tilt: +15°/+45°

TECHNICAL DRAWINGS



RECOMMENDED ACCESSORIES



PAC710 □ Accessory Shelf



MAC720 □ Dual Display Accessory



PAC700 □ Travel Case

For a complete list of flat panel mount accessories see page 73.