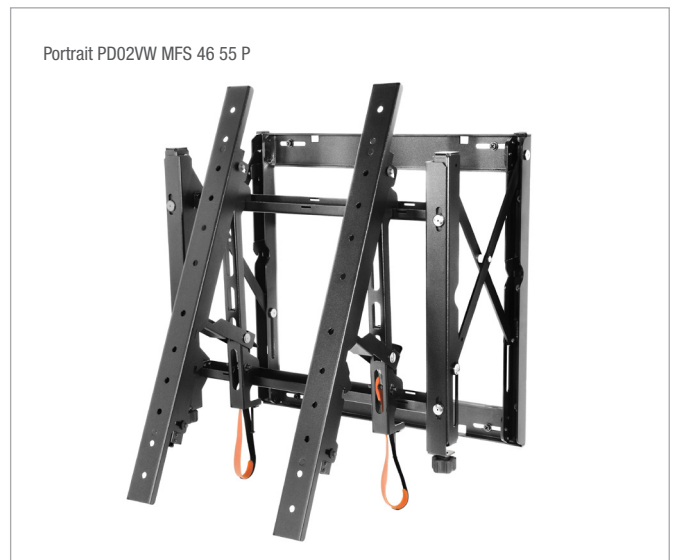
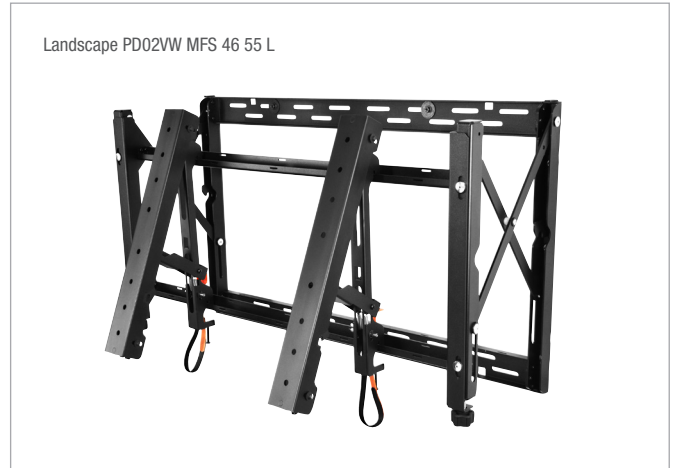


VIDEOWALL MOUNT PD02VW MFS 46 55 L/P

ORDER CODES: Portrait 100013099 Landscape 100013100

High-end videowall mount with manual front service for installation of NEC MultiSync® 46" and 55" XUN/S/V and 46" to 55" XS and P Series in a videowall.

This videowall mount is designed for easy maintenance and servicing in hard-to-reach installations. Included security hardware prevents the mount from extending out of the wall. Connector Kits are obtainable for the specific display models. Available for landscape and portrait orientation.



Delivering Genuine Benefits

Supports an unlimited number of displays without configuration limitation

Connector Kits eliminate guesswork and on-site installation calculations

Tool-less micro adjustments at 8 point seamlessly align the displays

Displays click securely into place against the wall with spring-loaded mechanism

Displays and mounts sit flush against the wall for a clean side appearance

Pull-out/Prop-open mechanism provides quick service access

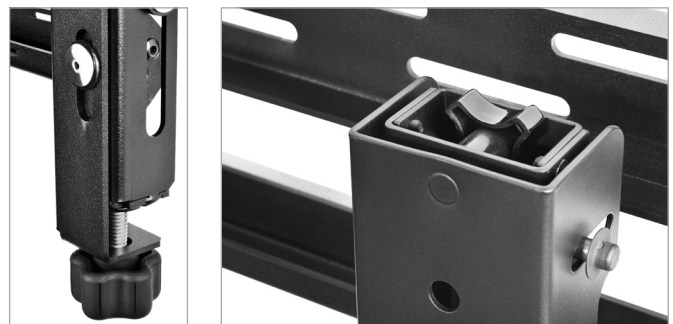
Integrated cable management tie-backs make display-to-display cabling simple

Included security hardware prevents the mount from extending out from the wall

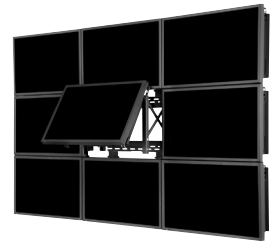
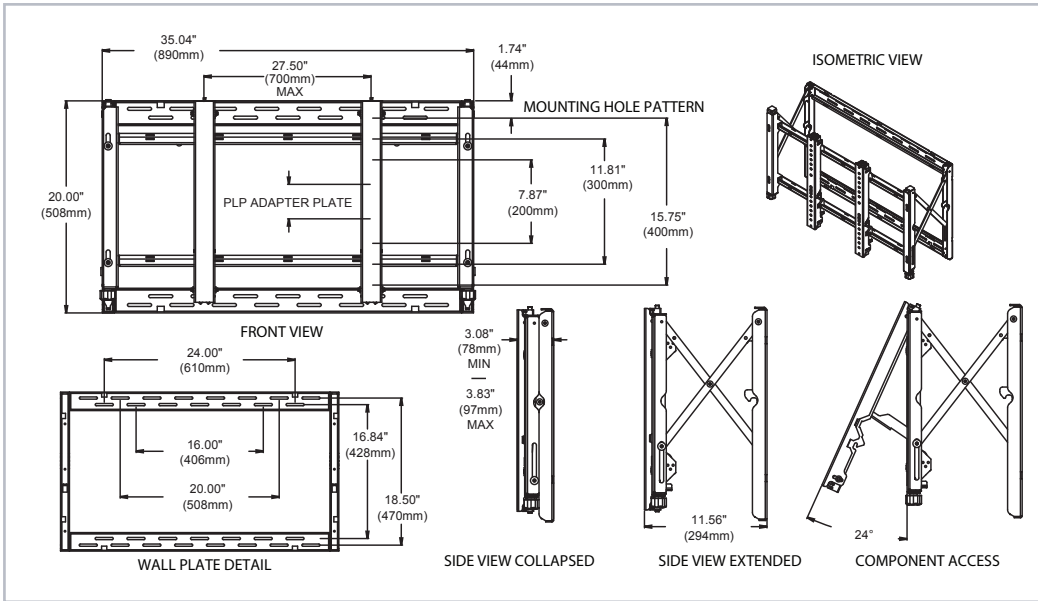
Optional Cable Release Kit for larger videowall installations

Ready-to-install right out of the box

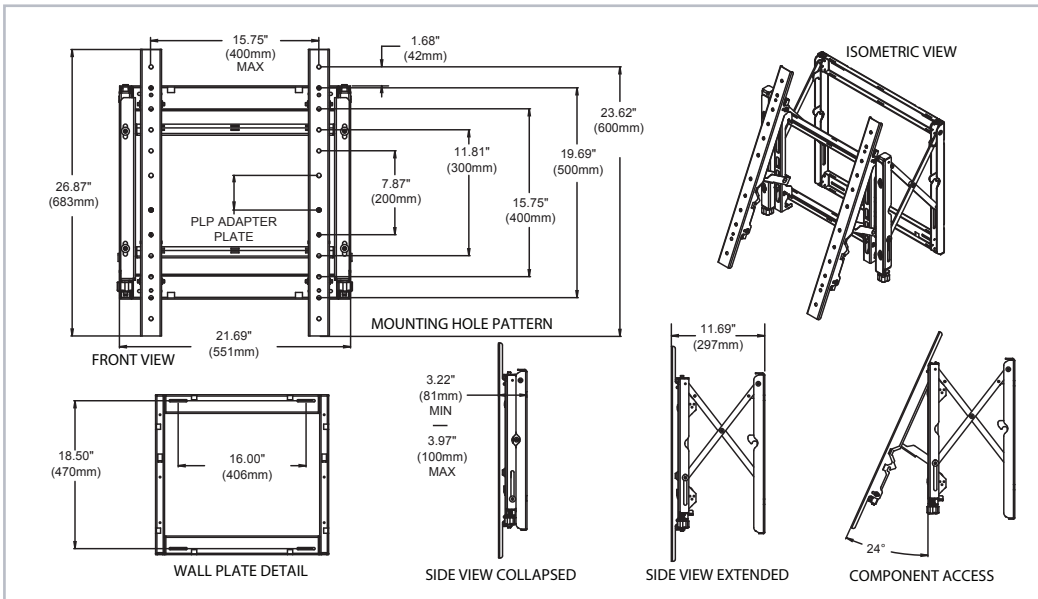
TOOL-LESS MICRO ADJUSTMENT



LANDSCAPE PD02VW MFS 46 55 L



PORTRAIT PD02VW MFS 46 55 P



CONNECTOR KITS FOR NEC LARGE FORMAT DISPLAYS

| ORIENTATION | CONNECTOR KITS | SUPPORTED NEC DISPLAYS |
|-------------|-------------------|------------------------|
| Portrait | CK02XHBP MFS 46 P | P463 |
| | CK02XUN MFS 46 P | 46" XUN/S/V |
| | CK02XS MFS 46 P | X462S |
| | CK02XUN MFS 55 P | 55" XUN/S/V |
| | CK02P MFS 55 P | P553 |
| | CK02XS MFS 55 P | X552S |
| Landscape | CK02XHBP MFS 46 L | P463 |
| | CK02XUN MFS 46 L | 46" XUN/S/V |
| | CK02XS MFS 46 L | X462S |
| | CK02XUN MFS 55 L | 55" XUN/S/V |
| | CK02P MFS 55 L | P553 |
| | CK02XS MFS 55 L | X552S |

NUMBER OF CONNECTOR KITS REQUIRED

| | | NUMBER OF HORIZONTAL DISPLAYS | | | | | | | | | |
|-----------------------------|----|-------------------------------|----|----|----|----|----|----|----|----|----|
| | | Num. | 1 | 2 | 3 | 4 | 5 | 6 | 7 | 8 | 9 |
| NUMBER OF VERTICAL DISPLAYS | 1 | 0 | 1 | 2 | 3 | 4 | 5 | 6 | 7 | 8 | 9 |
| | 2 | 1 | 2 | 4 | 6 | 8 | 10 | 12 | 14 | 16 | 18 |
| | 3 | 2 | 4 | 6 | 9 | 12 | 15 | 18 | 21 | 24 | 27 |
| | 4 | 3 | 6 | 9 | 12 | 16 | 20 | 24 | 28 | 32 | 36 |
| | 5 | 4 | 8 | 12 | 16 | 20 | 25 | 30 | 35 | 40 | 45 |
| | 6 | 5 | 10 | 15 | 20 | 25 | 30 | 36 | 42 | 48 | 54 |
| | 7 | 6 | 12 | 18 | 24 | 30 | 36 | 42 | 49 | 56 | 63 |
| | 8 | 7 | 14 | 21 | 28 | 35 | 42 | 49 | 56 | 64 | 72 |
| | 9 | 8 | 16 | 24 | 32 | 40 | 48 | 56 | 64 | 72 | 81 |
| | 10 | 9 | 18 | 27 | 36 | 45 | 54 | 63 | 72 | 81 | 90 |



VIDEOWALL MOUNT PD02VW MFS 46 55 L/P

ORDER CODES: Portrait 100013099 Landscape 100013100

TECHNICAL SPECIFICATIONS

| ORDER CODES | | | |
|---|--|---------------------------------------|-----------|
| PD02VW MFS 46 55 P (Portrait) | 100013099 | PD02VW MFS 46 55 L (Landscape) | 100013100 |
| CONNECTOR KITS PORTRAIT | | CONNECTOR KITS LANDSCAPE | |
| CK02XHBP MFS 46 P | 100013095 | CK02XHBP MFS 46 L | 100013096 |
| CK02XUNP MFS 46 P | 100013105 | CK02XUN MFS 46 L | 100013106 |
| CK02XS MFS 46 P | 100013107 | CK02XS MFS 46 L | 100013108 |
| CK02XUN MFS 55 P | 100013103 | CK02XUN MFS 55 L | 100013104 |
| CK02P MFS 55 P | 100013097 | CK02P MFS 55 L | 100013098 |
| CK02XS MFS 55 P | 100013110 | CK02XS MFS 55 L | 100013109 |
| CABLE RELEASE KIT | | RK02 MFS | 100013111 |
| MIN. DEPTH | | | |
| Portrait | 81 – 100 mm | | |
| Landscape | 78 – 97 mm | | |
| ADJUSTMENTS | | | |
| Max. Height adjustment | 25 mm | | |
| Max. Extension Portrait | 297 mm | | |
| Max. Extension Landscape | 294 mm | | |
| MOUNTING PATTERN COMPATIBILITY | | | |
| Portrait | 200 x 200 mm to 600 x 400 mm | | |
| Landscape | 200 x 200 mm to 700 x 400mm | | |
| CONFIGURATION | | | |
| Number of mounts | Unlimited | | |
| Orientation | Landscape & Portrait | | |
| Max. Weight capacity | Portrait 57kg * Landscape 56.8 kg* | | |
| MECHANICAL | | | |
| Package Dimensions (W x H x D) | 956 x 609 x 127 mm | | |
| Weight of mount | Portrait 15 kg Landscape 15,9 kg | | |
| OTHER SPECIFICATIONS | | | |
| Certificates / Standard | UL Listed, RoHs | | |
| Warranty | 3 years | | |
| SUPPORTED NEC LARGE FORMAT DISPLAYS | | | |
| Portrait | MultiSync 46" and 55" XUN/S/V and 46" & 55" XS and P Series | | |
| Landscape | MultiSync 46" and 55" XUN/S/V and 40" to 55" XS and P Series | | |
| Videowall options | Remote Control Kit (KT-RC2); Calibration Kit (KT-LFD-CC2) | | |
| For additional pictures and Solutions overview, Visit www.nec-display-solutions.com for details. | * Please consider the overall weight of the complete construction. It is the installers responsibility to make certain the structure to which the mount is being attached is capable of supporting all equipment. For this NEC does not take any responsibility. Please consult your local vendor if advise is needed. | | |

This document is © Copyright 2014 NEC Display Solutions Europe GmbH. All rights are reserved in favour of their respective owners. The document, or parts thereof, should not be copied, adapted, redistributed, or otherwise used without the prior written permission of NEC Display Solutions Europe GmbH. This document is provided "as is" without warranty of any kind whatsoever, either express or implied. Errors and omissions are excepted.

NEC Display Solutions Europe GmbH may make changes, revisions or improvements in, or discontinue the supply of any product described or referenced in this document at any time without notice. 12. August 2015

NEC Information:

Call: +49 (0)89/99 699-0

Email: infomail@nec-displays.com

www.nec-display-solutions.com

Orchestrating a brighter world

NEC