

Ramp up your system, conserve your budget



16 Port

10/100 Mbps **Fast Ethernet Switch**

JFS516

NETGEAR presents a great way to increase your network's capability without breaking your budget: the 16-port JFS516. This 10/100 Fast Ethernet switch provides expanded connectivity for small office networks so users no longer have to compete with each other for bandwidth. All of the essential features – automatic speed and full/half duplex sensing, 200 Mbps throughput per port, Auto Uplink™ – are included, but at an economical price that a value-conscious business owner can't ignore.

THRIFTY

The ideal, low-cost solution you've been looking for, the unmanaged JFS516 lets you ramp up your office network to a new power level – affordably

CAPABLE

Sixteen switched ports provide private bandwidth for PCs, servers, or hubs, and support 200 Mbps of throughput. Each port delivers 200 Mbps of network speed in full-duplex mode.

PERCEPTIVE

As soon as it's powered on, it begins operating. Every port automatically senses the proper speed and full/half duplex mode, and Auto Uplink adjusts for straight-through or crossover cables to make the right link.

PRACTICAL

This high-performance switch makes it easy to combine 10 and 100 Mbps devices within your network. As an added convenience, these sturdy metal units can be mounted in a standard 19-inch rack.



Help is there when you need it!

NETGEAR provides free, 7x24

telephone and e-mail technical

support in English, with selected

local language support during

office hours.

www.NETGEAR.com

NETGEAR®

NETGEAR Inc.
 4500 Great America Parkway
 Santa Clara, CA 95054
 USA

Phone: 1-888-NETGEAR
 E-mail: support@NETGEAR.com
 www.NETGEAR.com

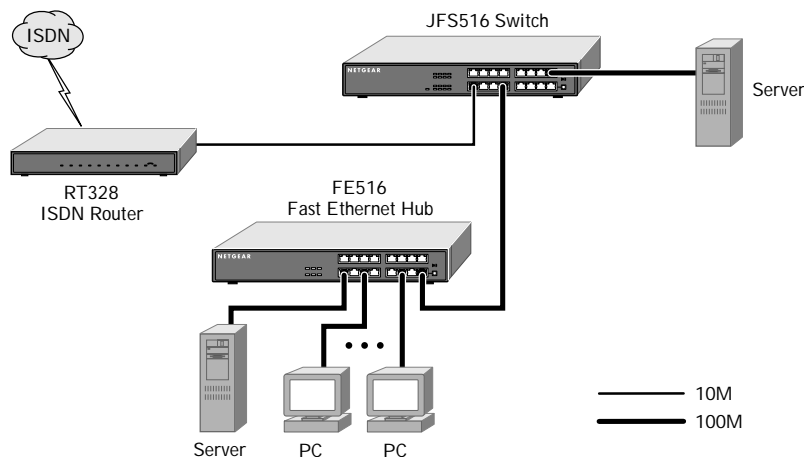
In-Country Phone Support

(24x7 phone support in English, local language support during office hours.)

Australia	1800-787-638	Korea	00308-11-0319
Austria	00800-06384327 (00800-0-NETGEAR)	Netherlands	0800-023-0981
Denmark	808-82179	New Zealand	00800-1233-4566
Canada	1-888-NETGEAR	Norway	800-12041
Finland	0800-111-036	Singapore	001-800-1233-4566
France	0800-77-17-53	Sweden	0200-298-298
Germany	00800-06384327 (00800-0-NETGEAR)	Switzerland	00800-0638-4327 (00800-0-NETGEAR)
Hong Kong	001-800-1233-4566	United Kingdom	020-7216-0014
Japan	0120-66-5402	United States	1-888-NETGEAR
		All Other Countries	+1 801-236-8499

NETGEAR® is a trademark of NETGEAR, Inc. Windows® is a registered trademark of Microsoft Corporation. Other brand and product names are trademarks or registered trademarks of their respective holders. Information is subject to change without notice. All rights reserved.

March 2002



TECHNICAL SPECIFICATIONS

Network Ports

16 10 or 100 Mbps RJ-45 ports

Performance (64 byte packets)

Store-and-forward packet switching

Forward rate (10 Mbps)

14,800 packet per sec.

Forward rate (100 Mbps)

148,000 packet per sec.

Latency (10 to 100 Mbps) 20 usec max

MAC addresses 4,000

Queue buffer KBytes 320

Weight

2.0 kg (4.4 lb)

Dimensions

W 330 mm (13")

D 202 mm (8")

H 43 mm (1.7")

AC Power

15W maximum

Auto-sensing 100 to 240V, 50/60 Hz

Localized plug for North America, Japan, UK, Europe, Australia

Standards Compliance

IEEE 802.3i 10BASE-T Ethernet

IEEE 802.3u 100BASE-TX Fast Ethernet

Compatible with all major network software

Status LEDs

Unit: power

Per network port: 10 or 100 Mbps operations, Rx/Tx and collision, link, half/full duplex

Electromagnetic Emissions

CE mark, commercial

FCC Part 15 Class A

EN 55 022 (CISPR 22), Class A

VCCI Class A

C-Tick

MIC

Environmental Specifications

Operating temperature: 0 to 40° C

Operating humidity: 80% max. relative humidity, noncondensing

Safety Agency Approvals

UL listed (UL 1950)/CUL

TUV licensed (EN 60 950)

Warranty

2 years

PACKAGE CONTENTS

- Switch unit
- Power cord
- Rack-mount kit
- User guide
- Warranty card
- Support card



www.NETGEAR.com

NETGEAR®