

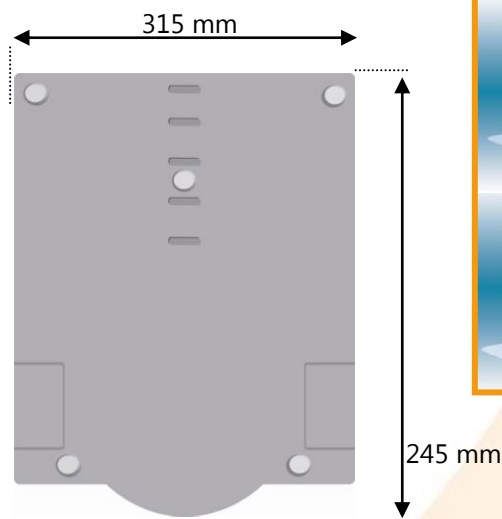
## Topmate II, Hylite - NOT1200

### Construction

Number of notebook	1
Material frame	Hylite
Stepless adjustable	No
Warranty	5 Years
Color	Grey

### Packaging

Nett weight	kg.	0,3
	Lbs.	0,6
Box dimensions	cm	32,5 x 25,0 x 0,6
	Inch	12,8 x 9,8 x ,0,2
EAN-code		8717228180453
Pieces per carton		38
Pieces per ½ pallet		570
Pieces per pallet		1140



	<i>Max. notebook weight</i>	<i>Height adjusting</i>	<i>Dept adjusting</i>				
	6 Kg. 13 Lbs.	0 - 7cm	No				universal for notebook